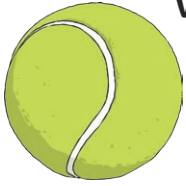


Wimbledon



What Is Wimbledon?

The Championships, Wimbledon, commonly known just as Wimbledon, is the oldest tennis tournament in the world. It was first held in 1877 at the All England Club in Wimbledon, London.

Wimbledon is one of the four grand slam tennis tournaments, with the others being:

- the Australian Open;
- the French Open;
- the US Open.

Summer is a busy time for tennis players as all the grand slams take place at this time of year. Wimbledon used to take place over a span of two weeks in late June and early July but has recently been moved to begin in early July instead. This will allow players more rest time between tournaments.

During the tournament, the main events are for:

- Gentlemen's Singles;
- Ladies' Singles;
- Gentlemen's Doubles;
- Ladies' Doubles;
- Mixed Doubles.

The History of Wimbledon

1877 – The only event held was the Gentlemen's Singles. This was won by Englishman, Spencer Gore. Around 200 spectators watched the final.

1884 – The club added Gentlemen's Doubles and Ladies' Singles competitions.

1913 – Ladies' Doubles and Mixed Doubles were added.

1937 – The Championship was first televised.

2009 – A retractable roof was added to Centre Court. This means that matches can continue even during rain.

Did You Know...?

Since the Australian Open began using hardcourts in 1988, Wimbledon is the only major tournament still played on grass courts.



Wimbledon Traditions

Ballboys and Ballgirls

The job of ballboys and ballgirls (BBGs) is to collect any balls which go out of play during a game. To become a BBG, children must pass a number of tests and complete a training phase. They must be able to 'blend into the background and get on with their jobs quietly'.

Colours and Uniforms

The traditional colours of Wimbledon are dark green and purple. However, all players in the tournament are expected to wear white tennis clothes.

Royal Family

Members of the Royal Family watch Wimbledon matches from the Royal Box. Players bow or curtsy as they enter Centre Court if HRH The Prince of Wales or Her Majesty The Queen are present.

Trophies

The Gentlemen's Singles champion is presented with a silver gilt cup. It is 47cm tall and 19cm in diameter. The actual trophy is the property of the All England Club, so the champion is given a three-quarter sized copy of the cup. This has the names of all past Champions engraved on it.

Did You Know...?

In 2017, fans ate 34,000kg of English strawberries and 10,000 litres of cream.



The Ladies' Singles champion is presented with a sterling silver salver (tray). It is 48cm in diameter and is decorated with figures from mythology. Again, the champion is given a three-quarter sized copy to keep, with the names of all past Champions engraved on it.

The winners of the Gentlemen's Doubles, Ladies' Doubles and Mixed Doubles events each receive silver cups.

Did You Know...?

Traditionally, there is no play on the middle Sunday of the tournament, which is a rest day. However, excessive rain during the first week has forced play on the middle Sunday four times, in 1991, 1997, 2004 and 2016.



Questions

1. In which year was Wimbledon first held? Tick **one**.

- 1877
 1884
 1913
 1937

2. Match the competition to the trophies received.

Gentlemen's Singles	sterling silver salver
Ladies' Singles	silver gilt cup
Mixed Doubles	silver cup

3. How many men will play in the Gentlemen's Singles competition?

4. Fill in the missing words from this sentence:

In 1877, the only event held was the _____, which was won by Englishman _____.

5. **Find** and **copy** a word which shows that the trophy that winning players keep is not the 'real' one.

6. Summarise the information about 'ballboys and ballgirls' in 40 words or less.

7. Why do you think that players need more rest time between tournaments?

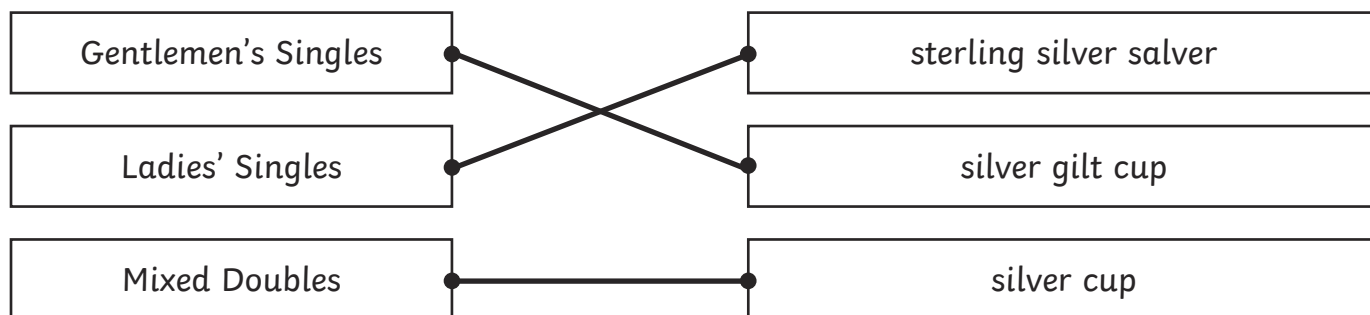
8. Why do you think that winners are not allowed to keep the 'real' trophies?

Answers

1. In which year was Wimbledon first held? Tick **one**.

- 1877**
 1884
 1913
 1937

2. Match the competition to the trophies received.



3. How many men will play in the Gentlemen's Singles competition?

128 men will play in the Gentlemen's Singles competition.

4. Fill in the missing words from this sentence:

In 1877, the only event held was the **Gentlemen's Singles**, which was won by Englishman **Spencer Gore**.

5. **Find** and **copy** a word which shows that the trophy that winning players keep is not the 'real' one.

Accept 'replica' or 'copy'.

6. Summarise the information about 'ballboys and ballgirls' in 40 words or less.

Pupils' own responses, such as: Ballboys and ballgirls (BBGs) have to pass tests before completing a training phase to be able to do the job of collecting balls that go out of play during a game while blending into the background.

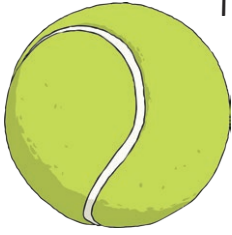
7. Why do you think that players need more rest time between tournaments?

Pupils' own responses, such as: Tennis is an active sport during which players use a lot of energy so they need more rest time to allow their bodies to recover between tournaments.

8. Why do you think that winners are not allowed to keep the 'real' trophies?

Pupils' own responses, such as: The 'real' trophies are probably worth a lot of money (they are precious metals and very old) so winners are not allowed to keep these as they might lose them.

Wimbledon



The Championships, Wimbledon, which is also known as Wimbledon or The All England Lawn Tennis Championships, is the oldest tennis tournament in the world, which was first held in 1877 at the All England Club in Wimbledon, London.

Wimbledon is one of the four grand slam tennis tournaments; the others being the Australian Open, the French Open and the US Open.

Summer is a busy time for tennis players with all the grand slams taking place. Traditionally, Wimbledon took place over two weeks in late June and early July but has recently been moved to begin in early July. This is to allow players more rest time between tournaments.

During the tournament, the main events are for Gentlemen's Singles, Ladies' Singles, Gentlemen's Doubles, Ladies' Doubles and Mixed Doubles.

Both the Gentlemen's and Ladies' Singles consist of 128 players in total, who are made up of those players with the highest international rankings, qualifiers and wild cards. Wimbledon is a single-elimination tournament, meaning that the player who can win seven times in a row wins the tournament because other players are 'knocked-out'.

Did You Know...?

Since the Australian Open changed to using hardcourts in 1988, Wimbledon is the only major tournament still played on grass courts.

The History of Wimbledon

During the first Wimbledon Championship, the only event held was the Gentlemen's Singles, which was won by Englishman, Spencer Gore. About 200 spectators watched the final – they paid one shilling (about 20p in modern money) each.

In 1884, the club added Gentlemen's Doubles and Ladies' Singles competitions. Ladies' Doubles and Mixed Doubles were added in 1913.

The Championship was first televised in 1937 and is now a major event, with finals watched by over 10 million people!

Wimbledon is considered the world's top tennis tournament.



In recent years, many improvements have been made to ensure that this title is kept. One of the main alterations was the addition of a retractable roof on Centre Court in 2009. This means that matches can continue even during rain.

Wimbledon Traditions

Ballboys and Ballgirls

The job of ballboys and ballgirls (BBGs), who are provided by local schools, is to collect any balls that go out of play during a game. To become a BBG, children must pass a number of tests and complete a training phase to ensure that they are able to 'blend into the background and get on with their jobs quietly'.

Colours and Uniforms

The traditional colours of Wimbledon are dark green and purple. However, all players in the tournament are expected to wear white tennis clothes.

Did You Know...?

Traditionally, there is no play on the middle Sunday of the tournament, which is a rest day. However, excessive rain during the first week has forced play on the middle Sunday four times, in 1991, 1997, 2004 and 2016.



Did You Know...?

In 2017, fans ate 34,000kg of English strawberries and 10,000 litres of cream.



Royal Family

Members of the Royal Family often watch Wimbledon matches from the Royal Box. If HRH The Prince of Wales or Her Majesty The Queen are present, players are expected to bow or curtsy as they enter Centre Court.

Trophies

The Gentlemen's Singles champion is presented with a silver gilt (silver covered with gold leaf) cup. It is 47cm tall and 19cm in diameter. The actual trophy is the property of the All England Club so the champion is given a three-quarter sized replica (copy) of the cup, which has the names of all past Champions engraved on it.

The Ladies' Singles champion is presented with a sterling silver salver or tray. It is 48cm in diameter and is decorated with figures from mythology. Similarly to the silver gilt cup, the champion is given a three-quarter sized replica of the salver.

The winners of the Gentlemen's Doubles, Ladies' Doubles, and Mixed Doubles events each receive silver cups.

Questions

1. Which of these is **not** another grand slam tennis tournament? Tick **one**.

- Australian Open
 London Open
 French Open
 US Open

2. Match the tennis grand slam to the correct fact.

1884

A retractable roof was added to Centre Court.

1937

The club added Gentlemen's Doubles and Ladies' Singles competitions.

2009

The Championship was first televised.

3. Give **three** facts about the first Wimbledon tournament.

1. _____
2. _____
3. _____

4. Fill in the missing words from this sentence:

The job of ballboys and ballgirls (_____) who are provided by _____, is to collect any _____ that go out of play during a game.

5. **Find** and **copy** a word which shows that the trophy that winning players keep is not the 'real' one.

6. Describe the Ladies' Singles trophy in less than 30 words.

7. Why do you think that there is no play on the middle Sunday of the tournament?
Give two reasons.

8. Why do you think that Wimbledon is **considered the world's top tennis tournament**?
Give two reasons.

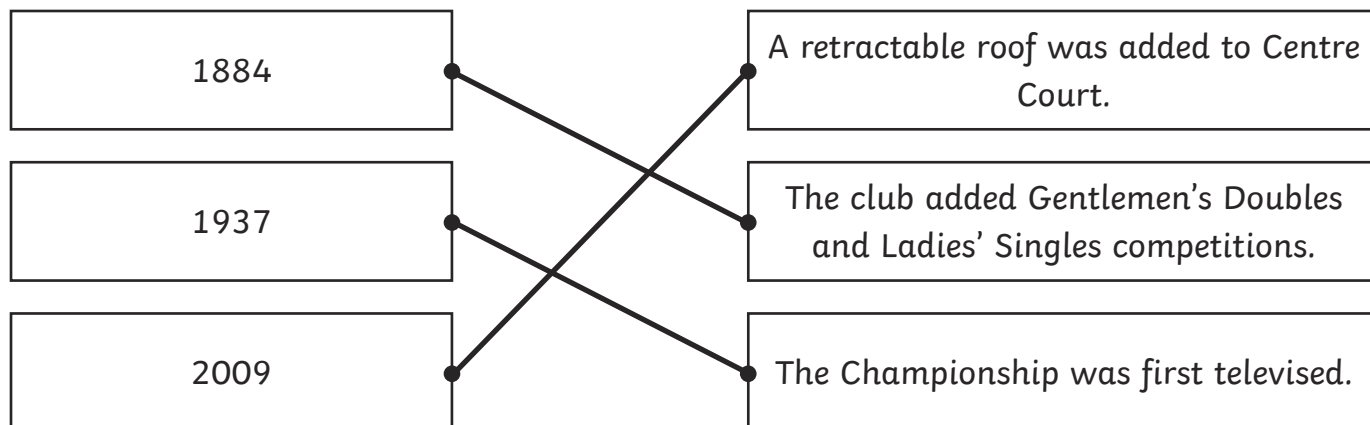
9. Would you like to watch a Wimbledon match? Give two reasons to support your choice.

Answers

1. Which of these is **not** another grand slam tennis tournament? Tick **one**.

- Australian Open
- London Open**
- French Open
- US Open

2. Match the tennis grand slam to the correct fact.



3. Give **three** facts about the first Wimbledon tournament.

Accept any three of the following: first held in 1877; at the All England Club in Wimbledon, London; took place over two weeks in late June and early July; the only event held was the Gentlemen's Singles; it was won by Englishman Spencer Gore; about 200 spectators watched the final; they paid one shilling (about 20p in modern money) each to watch the final.

4. Fill in the missing words from this sentence:

The job of ballboys and ballgirls (**BBGs**) who are provided by **local schools**, is to collect any **balls** that go out of play during a game.

5. **Find** and **copy** a word which shows that the trophy that winning players keep is not the 'real' one.

Accept 'replica' or 'copy'.

6. Describe the Ladies' Singles trophy in less than 30 words.

Pupils' own responses, such as: The Ladies' Singles trophy is actually a sterling silver salver (tray) which is 48cm in diameter and decorated with mythological figures.

7. Why do you think that there is no play on the middle Sunday of the tournament?

Give two reasons.

Pupils' own responses, such as: There is no play on the middle Sunday of the tournament because it is tradition and to give the players a rest.

8. Why do you think that Wimbledon is **considered the world's top tennis tournament**?

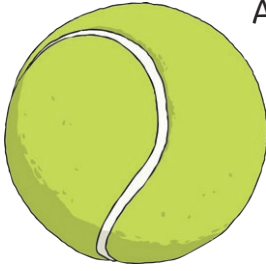
Give two reasons.

Pupils' own responses, such as: Wimbledon is the world's top tennis tournament because it started many years ago and is played by the top tennis players in the world.

9. Would you like to watch a Wimbledon match? Give two reasons to support your choice.

Pupils' own responses, such as: I would like to watch a Wimbledon match because I enjoy playing tennis so I'd like to see a top tennis player; I'd also enjoy eating strawberries and cream in the sunshine.

Wimbledon



Also known as 'The All England Lawn Tennis Championships' or simply 'Wimbledon', The Championships, Wimbledon is the oldest tennis tournament in the world and was first held in 1877 at the All England Club in Wimbledon, London. Wimbledon is one of the four global grand slam tennis tournaments; the others being the Australian Open (held in Melbourne), the French Open (held in Paris) and the US Open, which is held in New York. Since the Australian Open altered to use hardcourts in 1988, Wimbledon is now the only major tournament still played on grass courts.

Summer is a busy time for tennis players with all the grand slams taking place and, although traditionally, Wimbledon took place over two weeks in late June and early July, it has recently been altered to begin in early July to allow players more rest time between tournaments. During the tournament, the main events are for Gentlemen's Singles, Ladies' Singles, Gentlemen's Doubles, Ladies' Doubles and Mixed Doubles. Both the Gentlemen's and Ladies' Singles consist of 128 players in total, who are made up of those players with the highest international rankings (seeded players), qualifiers and wild cards. Wimbledon is a single-elimination tournament, meaning that the player who can win seven times in a row wins the tournament as other players are 'knocked-out'. A seeded player usually wins, in both the Gentlemen's and Ladies' Single competitions.

Traditionally, there is no play on the middle Sunday of the tournament, which is a rest day. However, excessive rain during the first week has forced play on the middle Sunday four times, in 1991, 1997, 2004 and 2016. The second Monday at Wimbledon is often called 'Manic Monday', because it is the busiest day of the tournament with the last 16 matches for both Gentlemen's and Ladies' singles, which means that fans could see any of the best 32 players left in the tournament on this day!



The History of Wimbledon

The first Wimbledon Championship consisted of only the Gentlemen's Singles, which was won by Englishman Spencer Gore. Paying one shilling (about 20p in modern money) each, around 200 spectators watched the final. In 1884, the club added Gentlemen's Doubles and Ladies' Singles competitions; Ladies' Doubles and Mixed Doubles were added in 1913.

The Championship was first televised in 1937 and is now a major event; it is widely considered to be the world's top tennis tournament with finals watched by over 10 million people! In recent years, many improvements have been made to ensure that Wimbledon keeps its elite title. One of the main alterations was the addition of a retractable roof on Centre Court in 2009, which means that matches can continue even during rain.

Wimbledon Traditions

Ballboys and Ballgirls

The job of ballboys and ballgirls (BBGs), who are provided by local schools, is to collect any balls that go out of play during a game. To become a BBG, children must pass a number of tests and complete a training phase to ensure that they are able to 'blend into the background and get on with their jobs quietly'. It is a great honour to be chosen for this role.

Did You Know...?

In 2017, fans ate 34,000kg of English strawberries and 10,000 litres of cream.



Colours and Uniforms

The traditional colours of Wimbledon are dark green and purple however, all players in the tournament are expected to wear white tennis clothes. Green clothing in a 1930s design was worn by all officials until 2005 but, in 2006, more modern blue and cream uniforms were unveiled.

Royal Family

Members of the Royal Family often attend Wimbledon and watch matches from the Royal Box. If HRH The Prince of Wales or Her Majesty The Queen are present, then players are expected to bow or curtsy as they enter Centre Court, as a sign of respect.

Trophies

The Gentlemen's Singles champion is presented with a silver gilt (silver covered with gold leaf) cup, which is 47cm tall and 19cm in diameter. The actual trophy is the property of the All England Club, so the champion is given a three-quarter sized replica of the cup, which has the names of all past champions engraved on it.

The Ladies' Singles champion is presented with a sterling silver salver – or tray – which is 48cm in diameter and is decorated with figures from mythology. As with the silver gilt cup, the champion is given a three-quarter sized replica of the salver to keep.

The winners of the Gentlemen's Doubles, Ladies' Doubles, and Mixed Doubles events each receive silver cups.



Questions

1. In which years did rain force play on the middle Sunday? Tick **all that apply**.

- 1991
 1997
 2009
 2016

2. When does the tournament take place? When did it used to take place?

3. Match the tennis grand slam to the correct fact.

Australian Open

US Open

Wimbledon

played on hardcourts since 1988

the oldest tennis tournament in the world

played in New York

4. Give two other names for the Wimbledon tournament.

1. _____

2. _____

5. Fill in the missing words from this sentence:

Both the Gentlemen's and Ladies' Singles consist of _____ in total, who are made up of those players with the highest international rankings (_____ players), qualifiers and _____.

6. Why do you think that a seeded player will usually win in both the Gentlemen's and Ladies' Single competitions?

7. Why do you think that there was only a Gentlemen's competition for the first seven years?

8. Why is it a great honour to be chosen to be a BBG?

9. Explain how uniforms have changed in 30 words or less.

10. Would you like to be a ballboy or ballgirl? Give two reasons to support your choice.

Answers

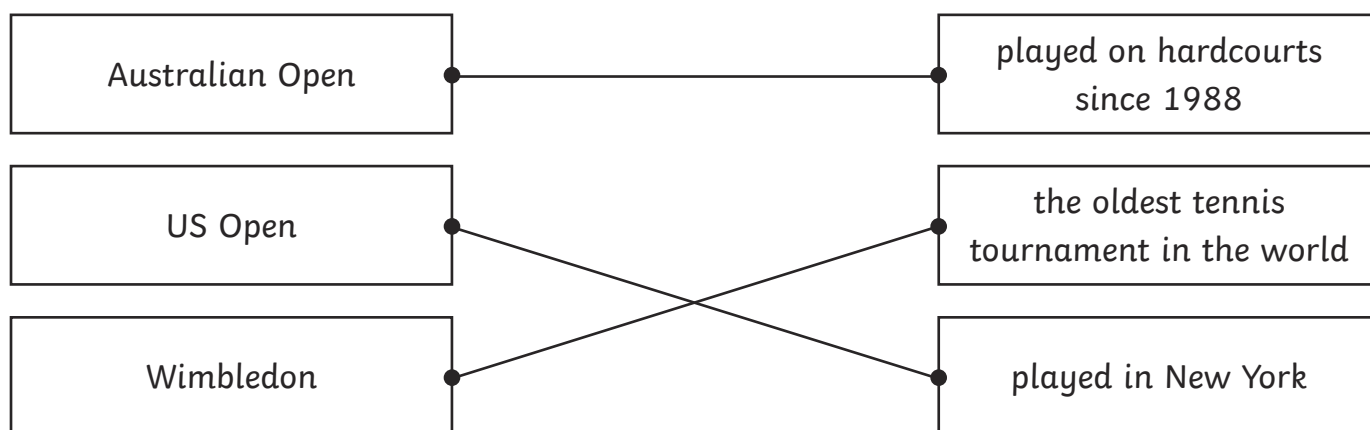
1. In which years did rain force play on the middle Sunday? Tick **all that apply**.

- 1991
- 1997
- 2009
- 2016

2. When does the tournament take place? When did it used to take place?

The tournament takes place in early July but it used to take place over two weeks in late June and early July.

3. Match the tennis grand slam to the correct fact.



4. Give two other names for the Wimbledon tournament.

Accept 'The All England Lawn Tennis Championships' and 'The Championships, Wimbledon'.

5. Fill in the missing words from this sentence:

Both the Gentlemen's and Ladies' Singles consist of **128 players** in total, who are made up of those players with the highest international rankings (**seeded** players), qualifiers and **wild cards**.

6. Why do you think that a seeded player will usually win in both the Gentlemen's and Ladies' Single competitions?

Pupils' own responses, such as: Seeded players are the players with the highest international rankings so they are most likely to win because they will be likely to 'knock-out' their opponents (who are not seeded) throughout the competitions.

7. Why do you think that there was only a Gentlemen's competition for the first seven years?

Pupils' own responses, such as: During the Victorian era, women were not treated as

equals so would not have been offered the chance to participate in competitive sport in the same way as men.

8. Why is it a great honour to be chosen to be a BBG?

Pupils' own responses, such as: Wimbledon is the world's top tennis tournament so you would feel very proud if you were chosen to be a BBG.

9. Explain how uniforms have changed in 30 words or less.

Pupils' own responses, such as: All officials used to wear 1930s style green clothing; in 2006, more modern navy and cream uniforms were unveiled.

10. Would you like to be a ballboy or ballgirl? Give two reasons to support your choice.

Pupils' own responses, such as: I would not like to be a ballgirl because I do not enjoy tests and would struggle to keep quiet during the games.